

## Parts List

**! AVOID** use of sunshade when driving vision is impaired

### Sunshades

(G3.1x8)



x 2

A) Front door shades



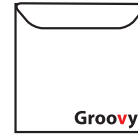
x 2

B) Rear door shades



x 2

C) Rear panel shades  
(SUV/MPV only)



x 1

Nylon bag

### Magnet Clips



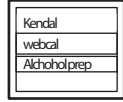
X 4 (for 2 pcs/set)  
X 8 (for 4pcs/set)

### Replacement tape

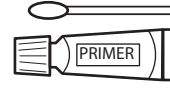


x 10

### Cleaning set



Alcohol Pad

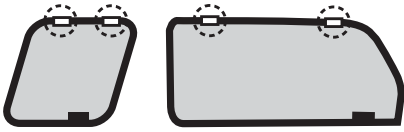


Primer

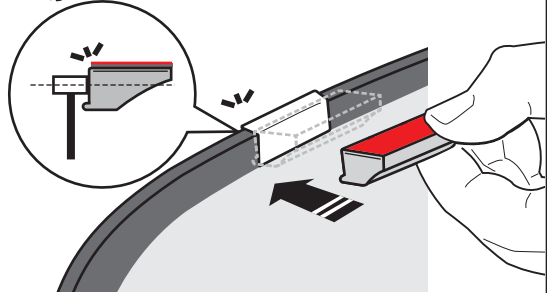
**! Apply primer ONLY if surface has been treated or polished**

## Installation Guide

**1** The white sticker labels on the shade are the location of the reinforced steel frame and also the position where the frame will latch onto the magnet clips.

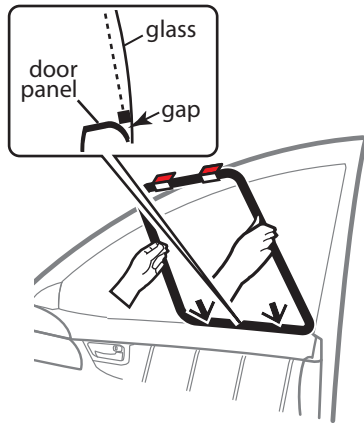


The clip positions will differ from model to model.

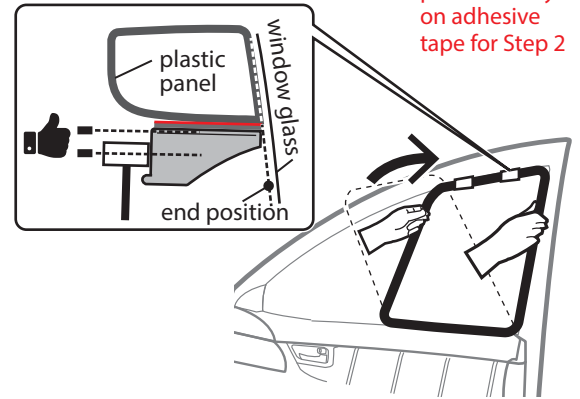


**Note:** Do not remove protective layer on adhesive tape for Step 1

**2** Positioning of sunshade and magnet clips.



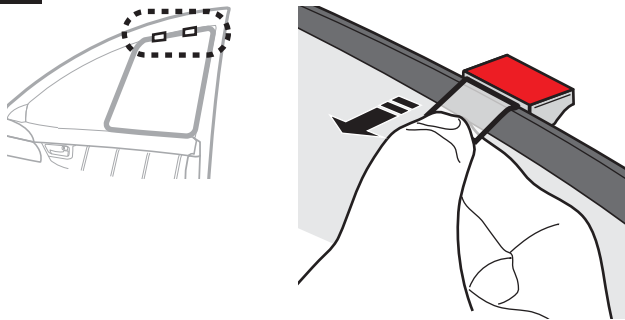
Place sunshade into the bottom gap between the door panel and window.



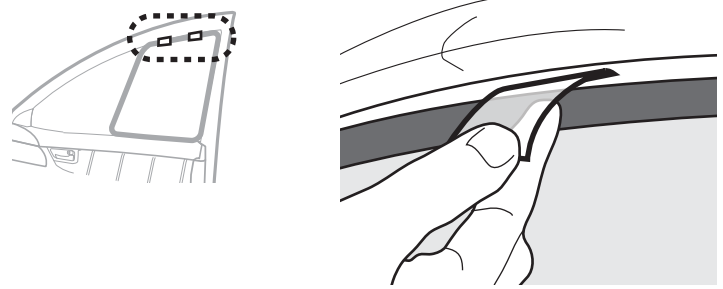
**Note:** Do not remove protective layer on adhesive tape for Step 2

Place sunshade with the magnet clips attached to the plastic panel to the window of the vehicle to find the best position for the sunshade and magnet clips.

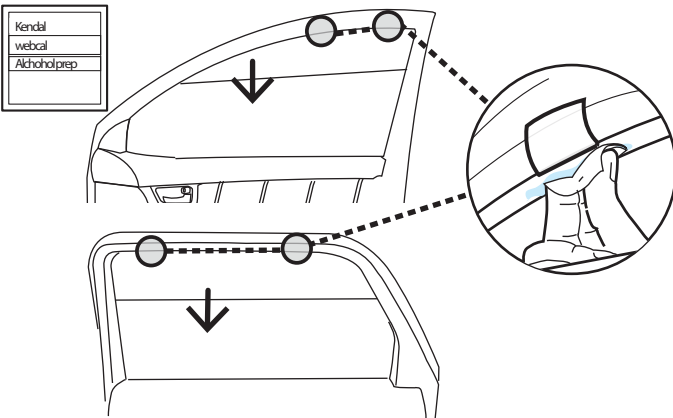
**3** Remove the white sticker labels from the sunshade



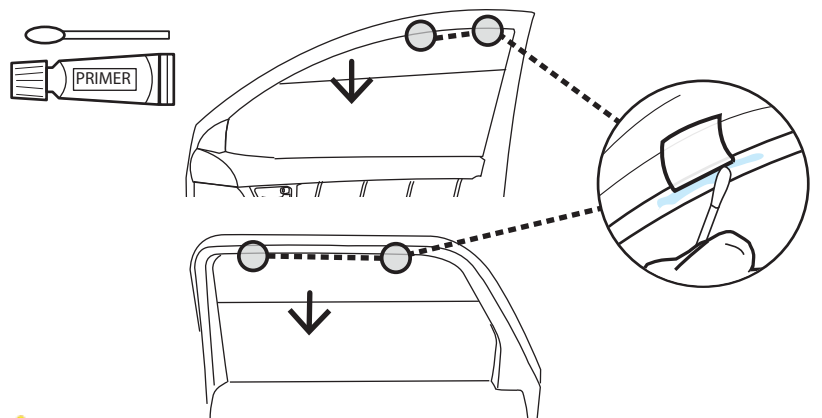
**4** Reuse the white sticker labels from Step 3 to mark the location where the magnet clips will be placed.



**5** Wind the window halfway down. Clean installation points with the alcohol pad at the white sticker label positions. Wait for 30 seconds before starting Step 4.



**6** Apply primer at installation points. Wait - 30 seconds. The purpose is to increase adhesive efficiency between surface and tape.

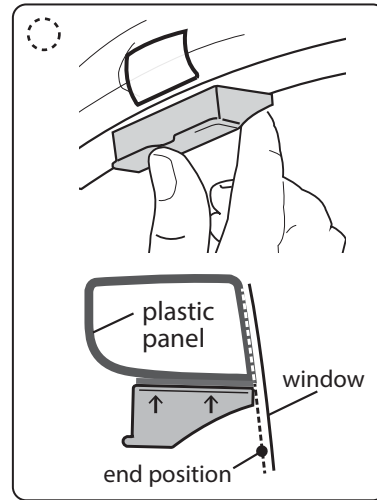
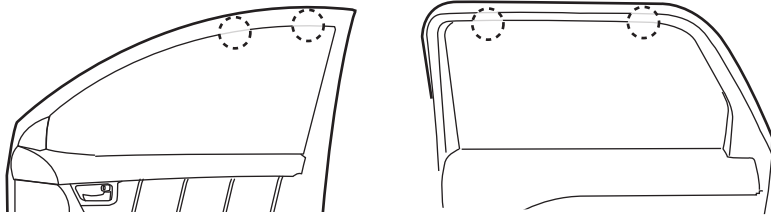


**! Apply primer ONLY if surface has been treated or polished.**

## Installation Guide

**!** AVOID use of sunshade when driving vision is impaired

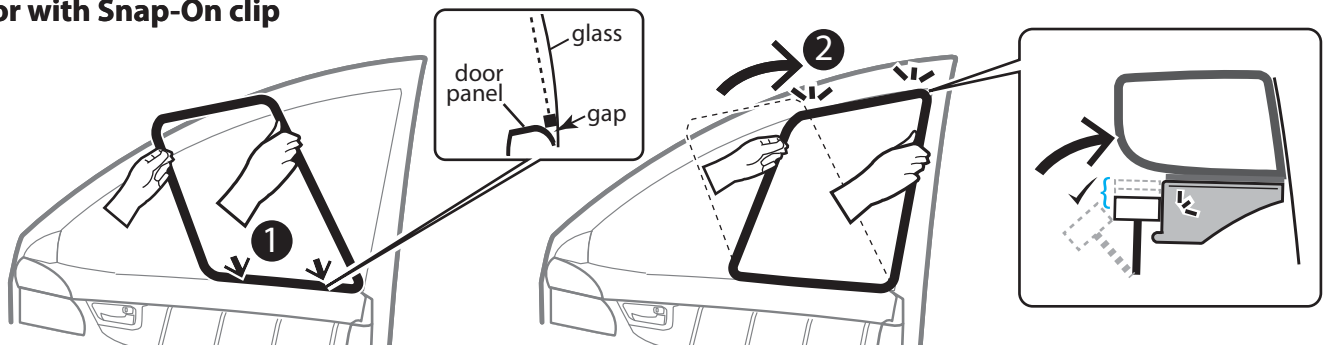
**7** Attached magnet clips at white sticker label positions



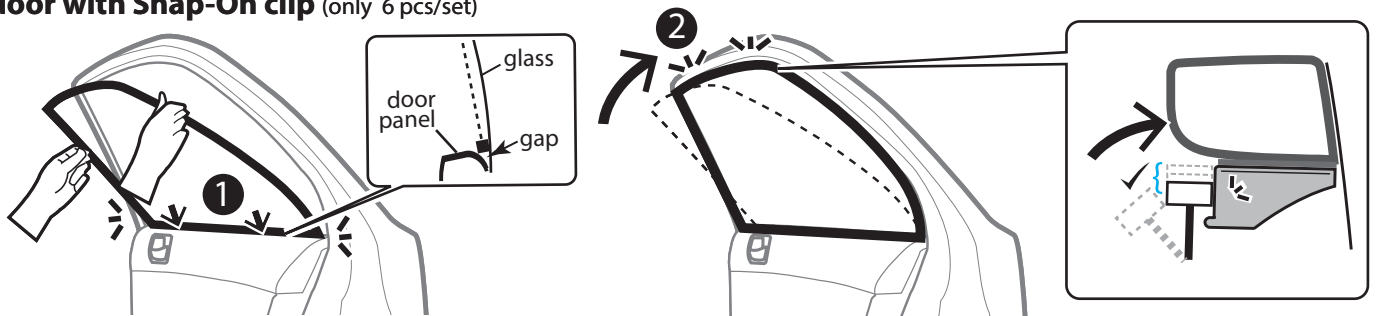
**8** Repeat process no.1- 7 for all doors and remove white stickers after finish clips installation

## Sunshade Installation Guide

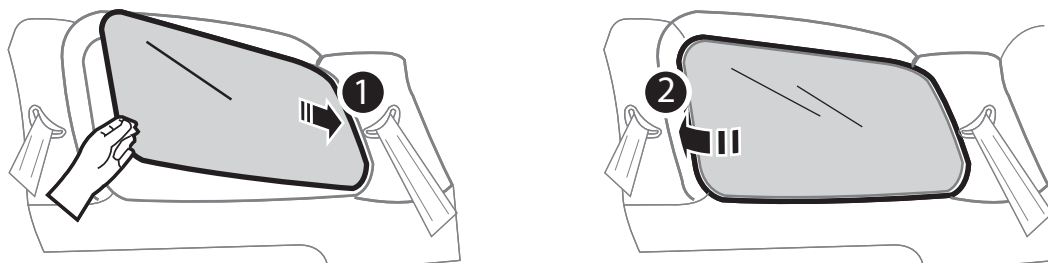
### Front door with Snap-On clip



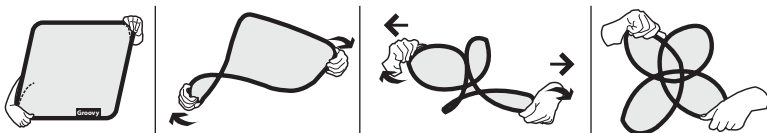
### Rear door with Snap-On clip (only 6 pcs/set)



### 3rd row window without Snap-On clip (SUV/MPV only)



Shades are foldable



**!** **Warning** : The high tension from the collapsed steel frame may cause injury. Please be cautious when unfolding the collapsed shade.

**!** **AVOID** use of sunshade when driving vision is impaired

# Snap-On

Installation Made Easy

We at Groovy Shades value creativity and will pursue all legal avenues at our disposal to protect our product worldwide.

■ **PCT – Patent Cooperation Treaty - USA, Taiwan, Thailand, Malaysia, China, India**

Any unauthorized reproductions, use or disclosure of this material, or any part thereof, is strictly prohibited.