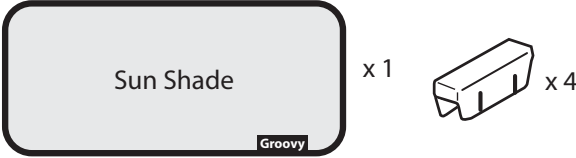
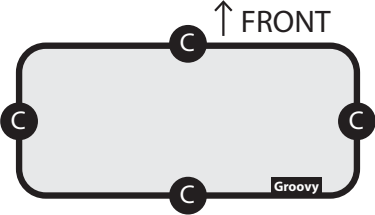


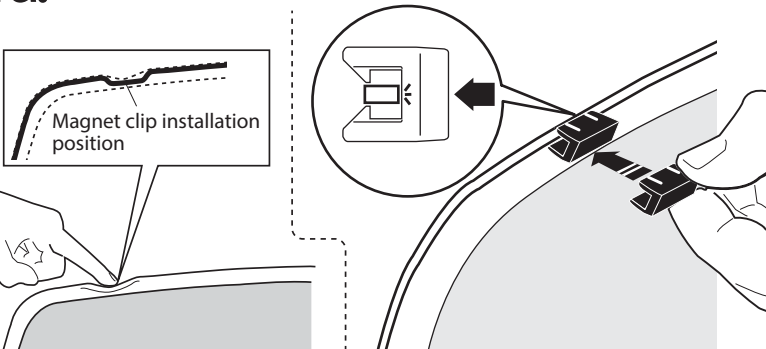
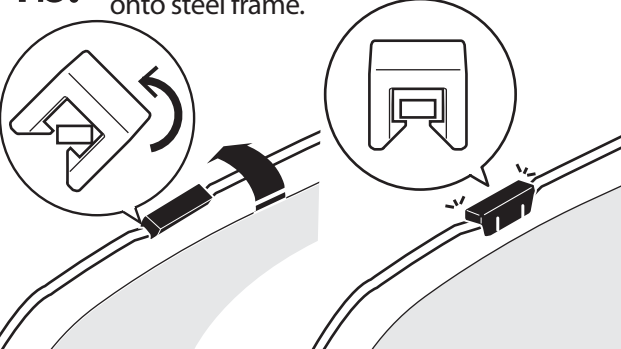
# SUNROOF SHADE INSTALLATION GUIDE

**!** AVOID use of sunshade when driving vision is impaired

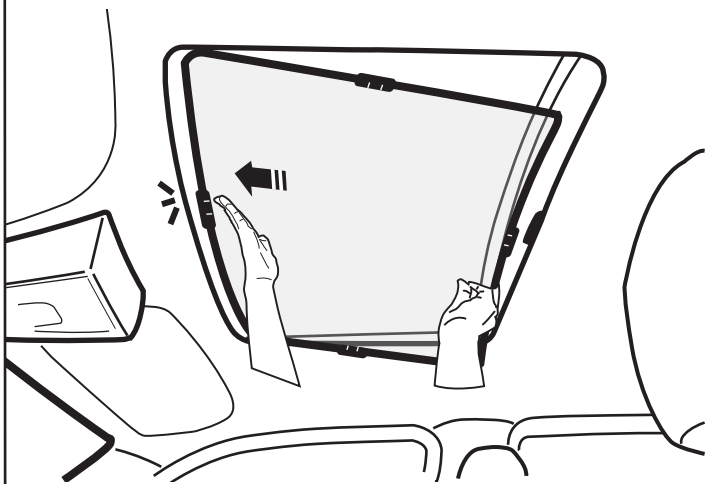
S-4M-A

<p><b>Parts List</b></p>  <p>Sun Shade x 1</p> <p>Magnet Clip x 4</p>	<p><b>Recommended Clip Installation Positions</b></p>  <p>↑ FRONT</p> <p>C - Clip Positions</p>
--	---

## Installation Guide

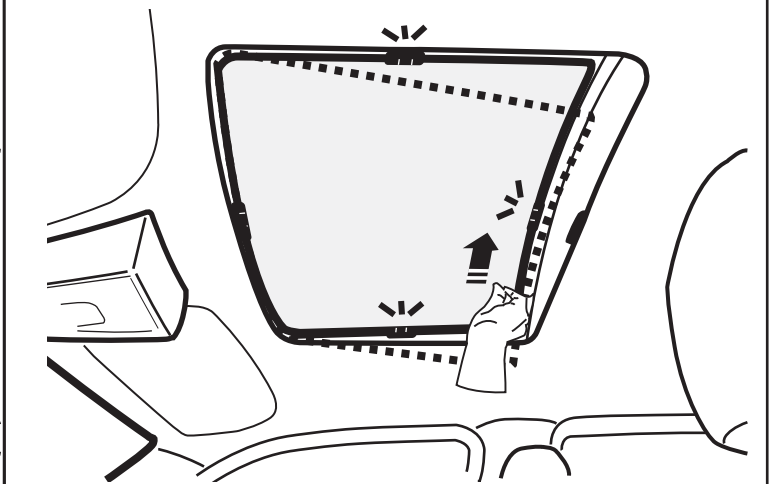
<p><b>1a.</b> Place magnet clip to the side of the steel frame.</p>  <p>Magnet clip installation position</p>	<p><b>1b.</b> Push magnet clip upwards to fasten clip onto steel frame.</p> 
---	--

**2.** Position the front side of the shade to the front steel section of the sunroof. The magnet clip will latch itself to the steel section of the sunroof.

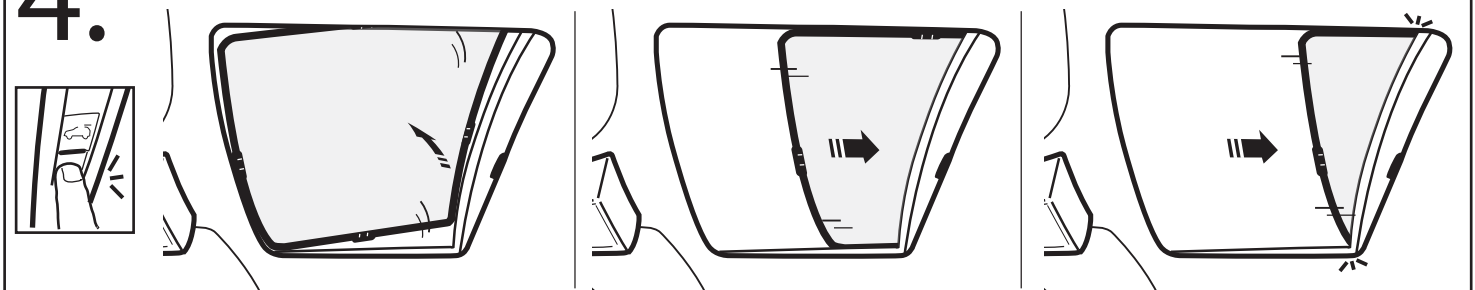


Clip position may defer from model to model.

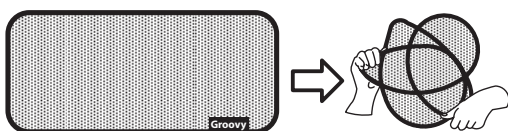
**3.** Repeat step 2 for the rear section of the shade. The remaining 3 magnet clips will latch on to the steel frame.



**4.** Do ensure that the installed sunshade do not obstruct the movement of the sunroof when it is in use.



The sunroof shade is foldable



**Warning :** The high tension from the collapsed steel frame may cause injury. Please be cautious when unfolding the collapsed shade.

We at Groovy Shades value creativity and will pursue all legal avenues at our disposal to protect our product worldwide.

**Patent - Taiwan, China, Japan, USA & Germany**  
**Patent Pending - Malaysia, Thailand, South Korea & India**

Any unauthorized reproductions, use or disclosure of this material, or any part thereof, is strictly prohibited.