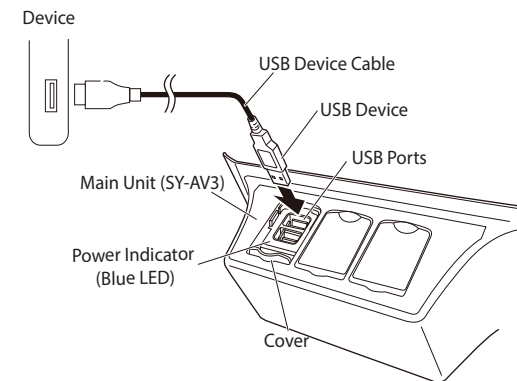
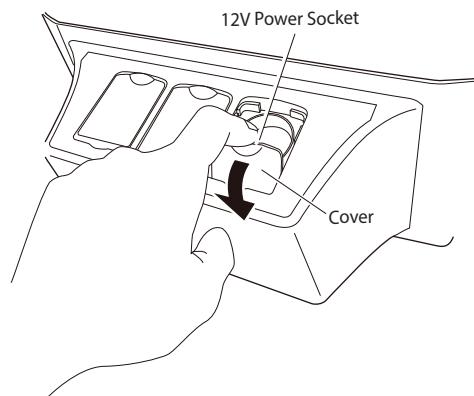
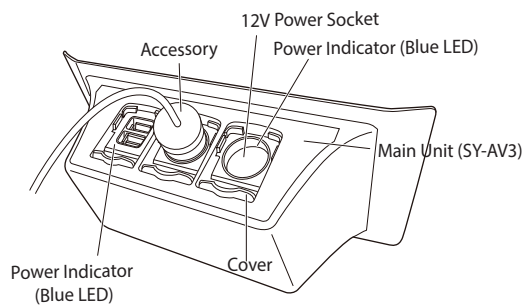


## TSUCHIYA YAC SY-AV3 POWER HUB



**STEP 1** Remove the protective layer of the double sided tape. Do also use the alcohol swab to clean the area where the adapter will adhere to (see Step 3).

**STEP 2** Plug in the main unit's power adapter into the vehicle's onboard 12V power socket.

**STEP 3** Align the top edge of the main unit to the bottom end of the transmission panel area. Press the aligned main unit to the vehicle's panel.

